

AW900m - Module PRODUCT BRIEF

Simple. Powerful. Affordable.

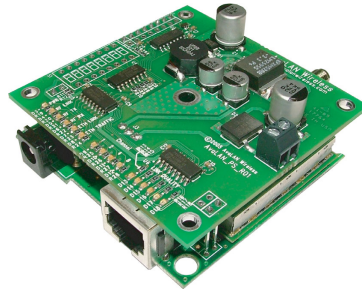
900MHz

AvaLAN
WIRELESS

(866) 533-6216

The definitive 1.54 Mbps wireless **NON-line-of-sight** 900 MHz point-to-point Ethernet bridge.

Create your own custom wireless Ethernet bridge that can enable remote Wi-Fi APs, Ethernet pan/tilt/zoom security cameras, VoIP phones or Internet Kiosks. The AW900m offers the ideal combination of price, range, data rate, security, interference avoidance, quality-of-service and ease-of-use.



AW900m-SR Kit - \$599 (MSRP)

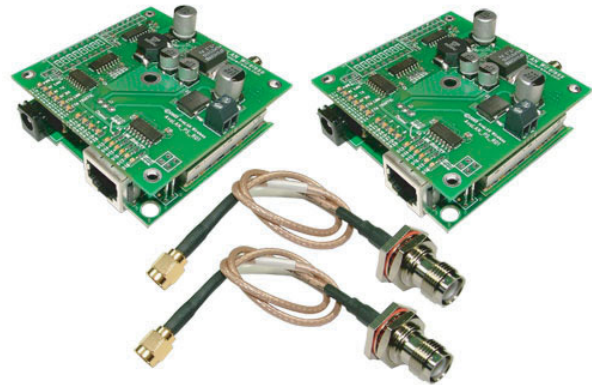
Long-range 900MHz wireless outdoor Ethernet bridge module kit. Kit includes:

- (2) AW900m radio transceivers (RPSMA RF connector)
- (2) AWP12 12-inch Pigtails RPSMA to RPTNC bulkhead female

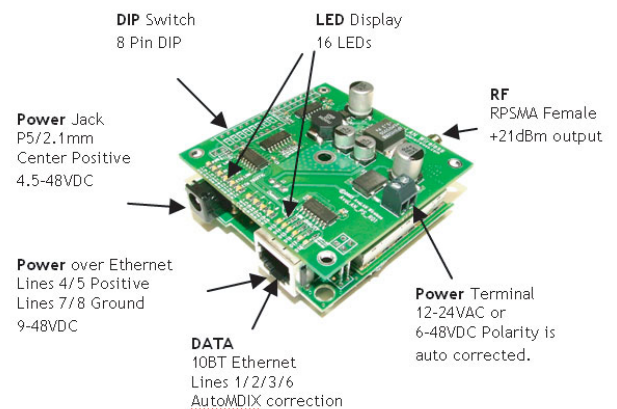
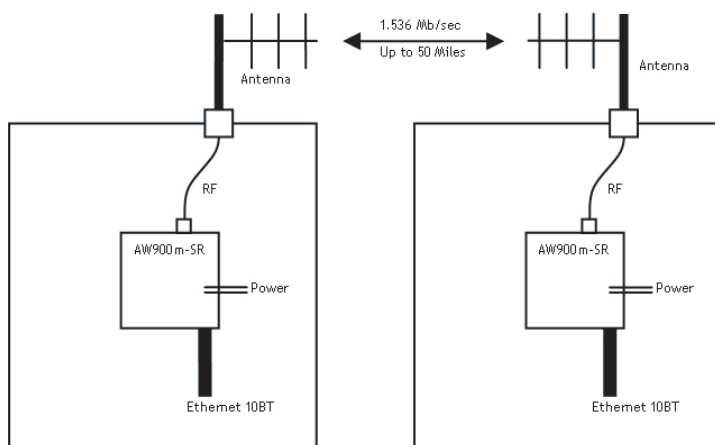
[requires antennae - use with AW15, AW11, AW8 or AW6 - all FCC approved]

Features:

- 4 Watts of RF output (EIRP) provides impressive foliage penetration or ultra long range wireless Ethernet bridging.
- Does not interfere with Wi-Fi networks.
- 128bit encrypted with dynamic private keys
- Wide voltage range capability - 4.5-48VDC or 24VAC
- Solar ready low power consumption <1Watt typical usage.
- Highest Quality of Service (QoS) available - Synchronous point to point protocol enables extremel low data latency and jitter.
- Simple plug and play - pre-configured as matched pairs with no user programming required.
- Operates in the 902 - 928MHz band and does not require an FCC license to operate or install.



System Diagram / Connections:

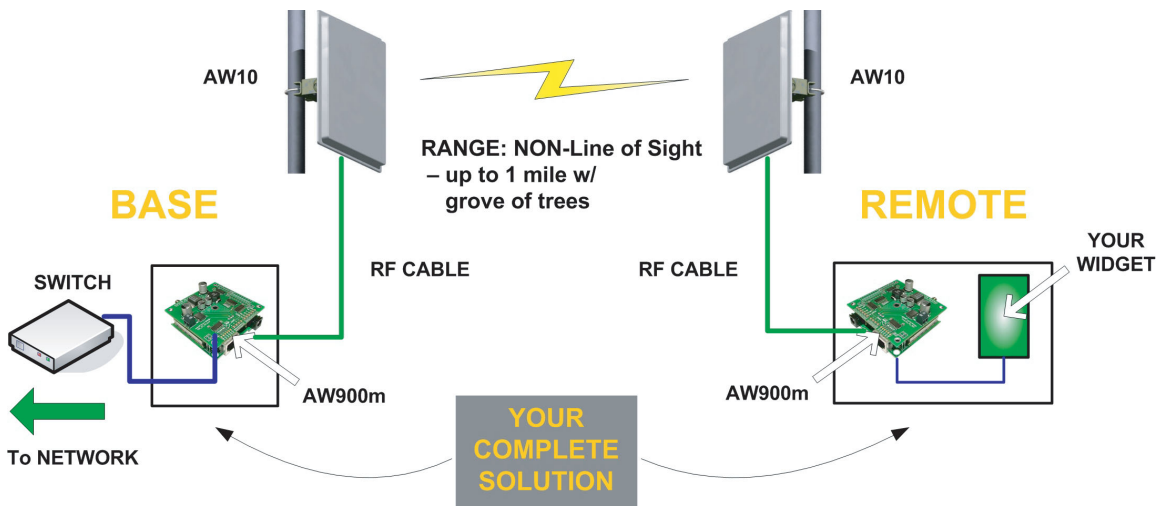


Designed, manufactured & assembled in the USA.

Copyright 2004 - 2006 AvaLAN Wireless Systems Inc. All rights reserved.

www.avalanwireless.com
(866) 533-6216

Sample Schematic:



Technical Specifications:

Characteristic	Specification - description (typical)
RF transmission rate:	1.536 Mb/s
Ethernet Throughput:	935 Kb/s
Output power:	+21dBm (4 Watts EIRP with 15dBi antennae)
Receive sensitivity:	-97dBm at 10e-4 BER (-112dBm with 15dBi antennae)
Radio link budget:	148dB with 15dBi antennae
Range:	40 miles LOS with 15dBi antennae
Radio channels/bandwidth:	12 Non-overlapping with 2.0833MHz spacing and 1.75MHz occupied bandwidth.
Automatic frequency select:	Yes - radio channel automatically selected and adaptively optimized
Connector types:	RF RPSMA Female / Ethernet RJ45 10BaseT / Power Jack P5-2.1mm ID
Status LEDs:	Power, RF Link, Ethernet Link, Traffic, RF RX, RF TX, 4/Channel and 6/Link Quality
Error correction technique:	Sub-block error detection and retransmission.
Adjacent-band rejection:	SAW receiver filter attenuates cellular and pager interference.
Regulator type:	Switching Regulator
Power consumption:	Transmit - 1.25W Receive - 0.6W
Voltage:	AC 12-24VAC at screw terminal DC 4.5-48VDC at P5 power jack (center positive) DC 6-48VDC at screw terminal (reverse polarity correction) Power over Ethernet 9-48VDC over Ethernet - pairs 4/5 positive and 7/8 ground.
Temperature range:	-40°C to 70°C
Transmit current draw:	250mA at 4.5VDC 110mA at 12VDC 32mA at 48VDC
Size:	65 x 65 x 33 mm

Ordering Information:

Part number	Price	Description	Contents
AW900m-SRK	MSRP \$599	Long Range Wireless Ethernet Module Integrator's Kit	2 - AW900m-SR RF Modules - RPSMA Female 2 - AWP12 12inch Pigtails - RPSMA male to RPTNC bulkhead female

*Prices subject to change

©2004 - 2006 Avalan Wireless Systems Incorporated. All rights reserved. Avalan Wireless and the Avalan Wireless logo are registered trademarks of Avalan Wireless Systems Incorporated. All other trademarks are property of their respective owners. Avalan Wireless makes no representations or warranties with respect to the accuracy, utility, or completeness of the contents of this publication and reserves the right to make changes to specifications and product descriptions at any time without notice. No license, express or implied, by estoppel or otherwise, to any patents or other intellectual property rights is granted by this document. Particular uses or applications may invalidate some of the specifications and/or product descriptions contained herein. The customer is urged to perform its own engineering review before deciding on a particular application. Avalan Wireless products are not designed for use in medical, life saving, or life sustaining applications. 08.18.2006



Designed, manufactured & assembled in the USA.

Copyright 2004 - 2006 AvaLAN Wireless Systems Inc. All rights reserved.

www.avalanwireless.com
(866) 533-6216