

MT-464004/NH

4.9-5.1GHz 14dBi 120deg Horizontal Pol. Base Station Antenna

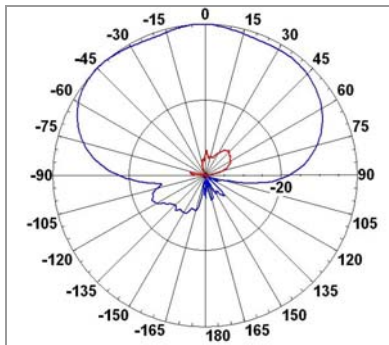


Specifications

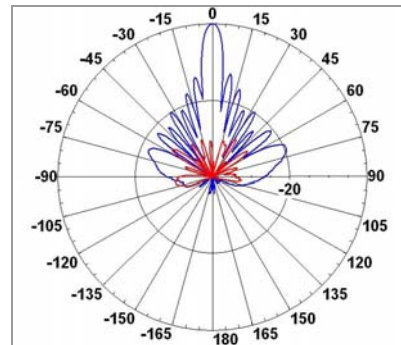
MTI PART NUMBER		MT - 464004/NH		
ELECTRICAL				
REGULATORY COMPLIANCE	ETSI EN 302 085 V1.1.2 (2001-02)			
FREQUENCY RANGE	4.9 - 5.1GHz			
GAIN	14 dBi (min)			
VSWR	1.7 : 1 (max)			
11dBi AZIMUTH BEAMWIDTH	120°(typ)			
POLARIZATION	Linear Horizontal			
ELEVATION BEAMWIDTH	6° (typ)			
AZIMUTH SIDELOBES LEVEL	ETSI EN 302 085 V1.1.2 CS3			
AZIMUTH CROSS POLARIZATION	ETSI EN 302 085 V1.1.2 CS3			
EL. CROSS POL. DISCRIMINATION	-27dB (max)			
ELEVATION CROSS POLARIZATION	-17dB (max)			
F/B RATIO	ETSI EN 302 085 V1.1.2, CS3, -32dB (max)			
INPUT IMPEDANCE	50 (ohm)			
INPUT POWER	6W (max)			
LIGHTNING PROTECTION	DC Grounded			
MECHANICAL				
DIMENSIONS (LxWxD)	550x200x60mm (max)			
WEIGHT	2 kg (max)			
CONNECTOR	N-Type Female			
RADOME	Plastic			
BASE PLATE	Aluminum with chemical conversion coating			
OUTLINE DRAWING	See page 2			
MOUNTING KIT	MT-120019			
ENVIRONMENTAL				
TEST	STANDARD	DURATION	TEMPERATURE	NOTES
LOW TEMPERATURE	IEC 68-2-1	72 h	-55°C	-
HIGH TEMPERATURE	IEC 68-2-2	72 h	+71°C	-
TEMP. CYCLING	IEC 68-2-14	1 h	-45°C +70°C	3 Cycles
VIBRATION	IEC 60721-3-4	30 min/axis	-	Random4M5
SHOCK MECHANICAL	IEC 60721-3-4	-	-	4M5
HUMIDITY	ETSI EN300-2-4 T4.1E	144 h	-	95%
WATER TIGHTNESS	IEC 529	-	-	IP63
SOLAR RADIATION	ASTAM G53	1000 h	-	-
FLAMMABILITY	UL 94	-	-	Class HB
SALT SPRAY	IEC 68-2-11 Ka	500 h	-	-
ICE AND SNOW	-	-	-	25mm Radial
WIND SPEED SURVIVAL	-	-	-	220 Km/h
OPERATION	-	-	-	160 Km/h
WIND LOAD SUR. FRONT TH.	-	-	-	31.7 kg
SIDE TH.	-	-	-	9.5kg

4.9-5.35GHz 15dBi 120deg Vertical Base Station Antenna

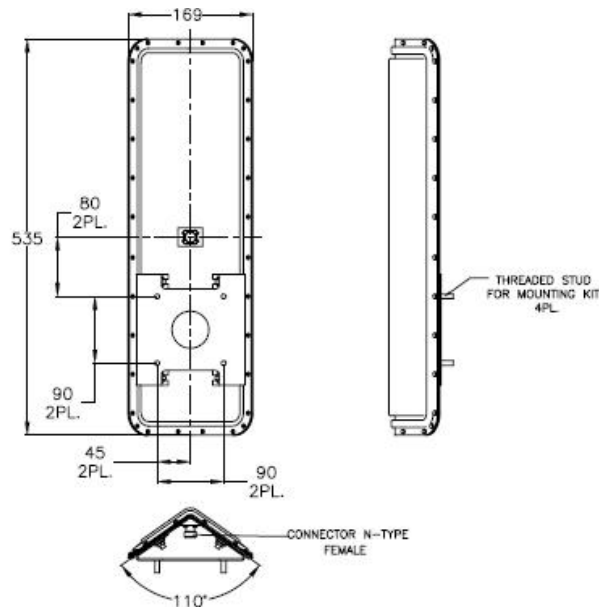
Azimuth Radiation Pattern
 Midband Freq. 5 GHz



Elevation Radiation Pattern
 Midband Freq. 5 GHz



Dimensions [mm]



Existing Antenna Versions

MTI Wireless Edge is certified according to ISO 9001 and ISO 14001.

WAIVER!

While the information contained in this document has been carefully compiled to the best of our present knowledge, it is not intended as presentation or warranty of any kind on our part regarding the fitness of the products concerned for any particular use or purpose and neither shall any statement contained herein be construed as a recommendation to infringe any industrial property rights or as a license to use any such rights. The fitness of each product for any particular purpose must be checked beforehand with our specialists.

MTI Wireless Edge Ltd.

11 Hamelacha St.
 Afek Industrial Park
 Rosh Ha'ayin 48091, Israel
 Tel: +972-3-9008900
 Fax: +972-3-9008901
www.mtiwe.com