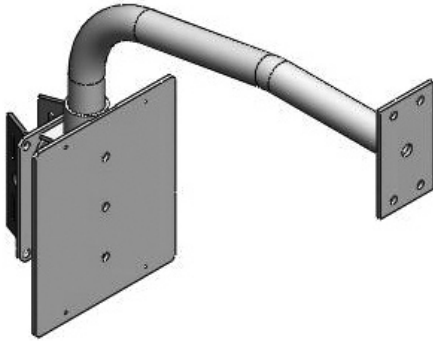


Product Instructions

Pole Mount part # BR-EXT1



Included Hardware

- 1 - Pole Mount
- 8 - Hex Head Bolts
- 8 - Lock Washers
- 8 - Flat Washers
- 4 - Nuts

Precautions

- Combined weight of camera, housing and mount must not exceed 100 lbs. (45.45 kg).
- Mounting surface and fasteners must be able to support 100 lbs. (45.45 kg).
- ALWAYS watch for wires, cables and power lines.



Installation

- Select bands rated to hold at least 150 lbs. (67 kg).
- Select pole capable of holding at least 100 lbs. (45.45 kg). and free of overhead obstructions.
- Mount bracket to pole using bands.
- Attach camera housing/mount to Pole Mount using supplied hardware.