

Solution Overview

License-Exempt 1+1 Monitored Hot Standby

Applicable Products: EX-2.4i-16, EX-5i-16

The Problem

Mobile operators seeking to deploy carrier-class license-exempt radio systems for mobile backhaul need to ensure that such systems meet the latency, availability and reliability characteristics common to licensed band systems in order to meet service level expectations. Exalt license-exempt systems have proven their ability to meet stringent latency and availability requirements.

However, in order to ensure 100% hardware uptime, mobile operators need a method to provide fault tolerant equipment protection for these license-exempt backhaul radio systems.

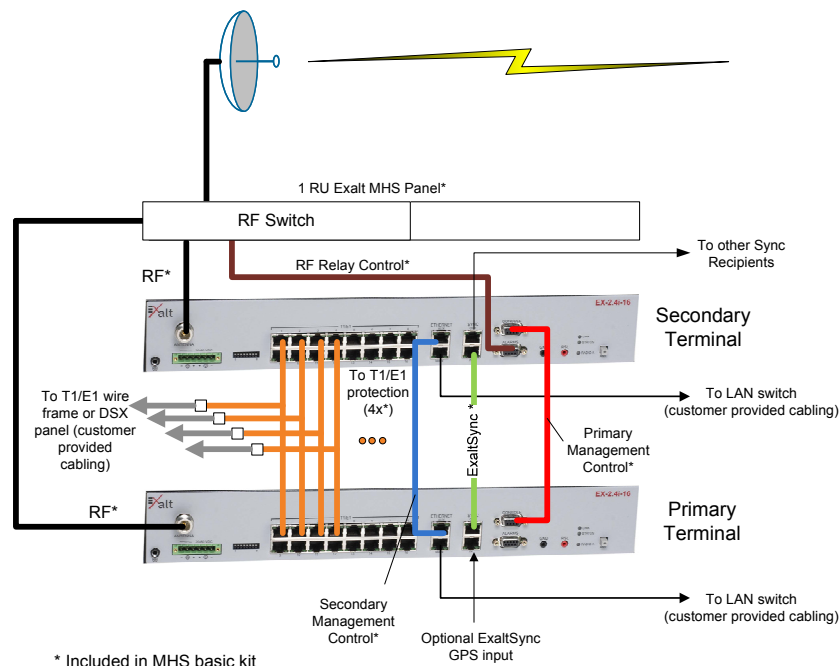
The Solution

Exalt provides the industry's only 1+1 Monitored Hot Standby (MHS) solution for license-exempt backhaul radio systems. The Exalt MHS solution provides fault tolerance and increased reliability through full hardware redundancy and automatic radio protection with fast switchover. The MHS solution requires no external switching devices and is ideal for hard to reach locations and high capacity links where maximum equipment reliability is required.

Solution Description

The 1+1 MHS solution is implemented using a primary and secondary Exalt license-exempt radio (EX-2.4i-16 or EX-5i-16) at each end of the link, an Exalt MHS kit at each end and T1/E1 expansion kits (4xT1/E1 each) as required to support up to 16xT1/E1.

Once properly interconnected and configured, the primary and secondary terminals constantly monitor and communicate fault status. Should the primary terminal experience a hard failure or traffic-affecting fault condition, the secondary terminal immediately transfers all TDM and Ethernet traffic to itself. Detailed installation, configuration and operation information is available in the MHS Installation Guide and EX-i Series product manual.



1+1 MHS Configuration