

TA-2304 Adjustable Sector

2300-2500 MHz



The TA-2304 is a vertically polarized sectoral antenna which has adjustable side panels for 60-160 degree azimuth patterns. The antenna consists of a printed dipole array enclosed in an aluminum base with a UV stabilized radome for superior weatherability. The antenna is at DC ground to aid in lightning protection.

Electrical Specifications

Frequency Range: 2300-2500 MHz
Gain: 15 dBi @ 60°, 13 dBi @ 90°
 12 dBi @ 120°, 10.5 dBi @ 160°
VSWR: 1.5:1 max.
Front to Back Ratio: 20 dB min. (15 dB @ 160°)
Polarization: Vertical
Power Rating: 100 Watts
H-Plane Beamwidth: 60, 90, 120, 160 degrees
E-Plane Beamwidth: 14.5 degrees
Cross Pol. Discrimination: 20 dB min.
Impedance: 50 ohms nominal
Termination: N female

Typical mid band values. (For details, contact factory)
 Specifications subject to change without notice

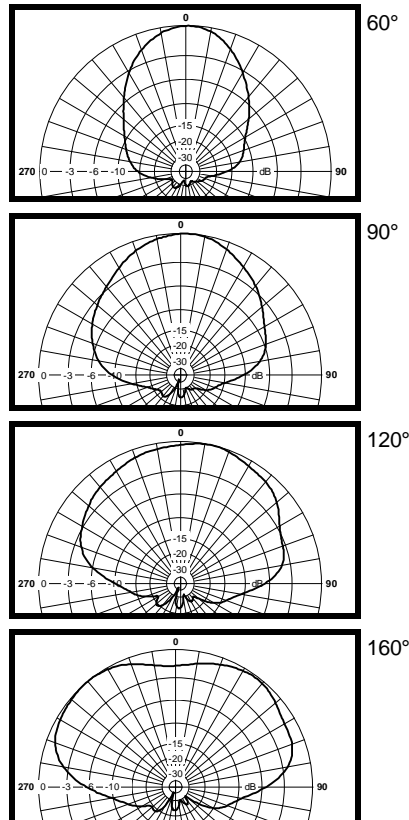
Mechanical Specifications

Length: 20.5 in. (521 mm)
Width: 4.9 in. (124 mm)
Depth: 4.6 in. (117 mm)
Weight (incl. Clamps): 5 lb. (2.3 kg)
Rated Wind Velocity: 125 mph (200 km/h)
Hor. Thrust at rated wind: 43 lb. (19.5 kg)
Mechanical Tilt: 0 - 30 degrees (optional)
Mounting (O.D.): 0.75 - 3.0 in. (19 - 76 mm)

Materials

Radiating Elements: Plated copper on PCB
Reflector: Irridited aluminum
Radome: Gray UV stabilized ASA
Clamps: Aluminum and HDG steel

H-Plane



E-Plane

