

## TA-5404-8-180 Sector

### 5470-5875 MHz



The TA-5404-8-180 is a vertically polarized 180 degree sectoral antenna. The antenna consists of a printed dipole array enclosed in an aluminum base with a UV stabilized radome for superior weatherability. The antenna is at DC ground to aid in lightning protection.

#### Electrical Specifications

**Frequency Range:** 5470-5875 MHz  
**Gain:** 13 dBi typ.  
**VSWR:** 1.5:1 max.  
**Front to Back Ratio:** 20 dB min.  
**Polarization:** Vertical  
**Power Rating:** 40 Watts  
**H-Plane Beamwidth:** 180 degrees  
**E-Plane Beamwidth:** 7 degrees  
**Electrical Downtilt:** 0°  
**Cross Pol. Discrimination:** 15 dB min.  
**Impedance:** 50 ohms nominal  
**Termination:** N female

Typical mid band values. (For details , contact factory)  
 Specifications subject to change without notice

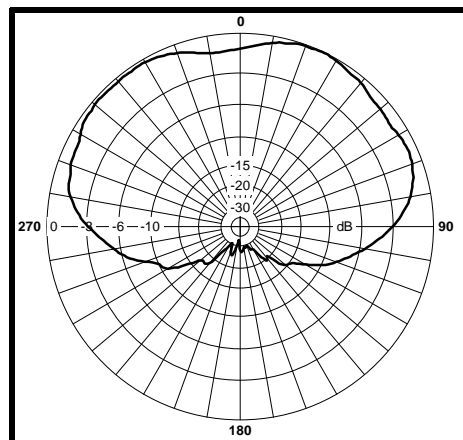
#### Mechanical Specifications

**Length:** 20.5 in. (521 mm)  
**Width:** 4.9 in. (124 mm)  
**Depth:** 3.2 in. (81 mm)  
**Weight (incl. Clamps):** 5 lb. (2.27 kg)  
**Rated Wind Velocity:** 125 mph (200 km/h)  
**Hor. Thrust at rated wind:** 37 lb. (16.8 kg)  
**Mechanical Tilt:** 0 - 20 degrees  
**Mounting (O.D.):** 0.75 - 3.0 in. (19 - 76 mm)

#### Materials

**Radiating Elements:** Plated Copper on PCB  
**Reflector:** Irridited aluminum  
**Radome:** Gray UV stabilized ASA  
**Clamps:** EDZ and HDG steel

H-Plane



E-Plane

