

# APPLICATION NOTE

## THE MOBILE ENTERPRISE

### K-12 EDUCATION

## Increased Student and Faculty Safety with Phone Service Across Campus

### The challenge:

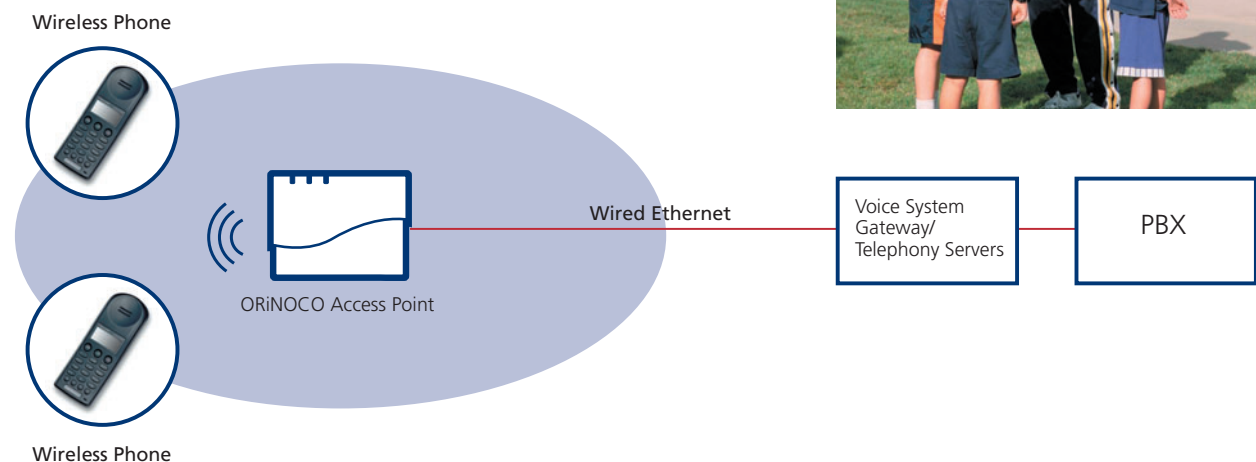
Most schools in the US and Europe were constructed before the expectation of ubiquitous telephone availability. Classrooms often do not have phones, and installing new phone lines can be expensive, complex and sometimes impossible in older structures. To fill that void, teachers often bring their own cell phones into the classroom. This not only places undue burden on the faculty member, but the school remains haphazardly connected. Privacy concerns also make it inappropriate for teachers to provide personal phone numbers to coworkers and students' parents.

### The solution:

IP telephones that use a school's wireless LAN network, similar to cordless phones used in homes, offer increased access to communication for students, faculty, administrators and guardians – which is especially important in the event of an emergency. By installing Proxim wireless access points, no new telephone wiring is required to extend phone service to every classroom. Properly positioned access points can even provide wireless coverage outdoors, extending phone service to playgrounds and other outdoor areas. As the wireless LAN can simultaneously support both Internet access for student classroom work, as well as phone calls, the return on investment is significantly increased.

### The products:

- ORiNOCO AP-2000
- ORiNOCO AP-600
- NetLink Wireless Telephones offered by SpectraLink



**Proxim Corporation**  
935 Stewart Drive  
Sunnyvale, California 94085

tel: 800.229.1630  
tel: 408.731.2700  
www.proxim.com