

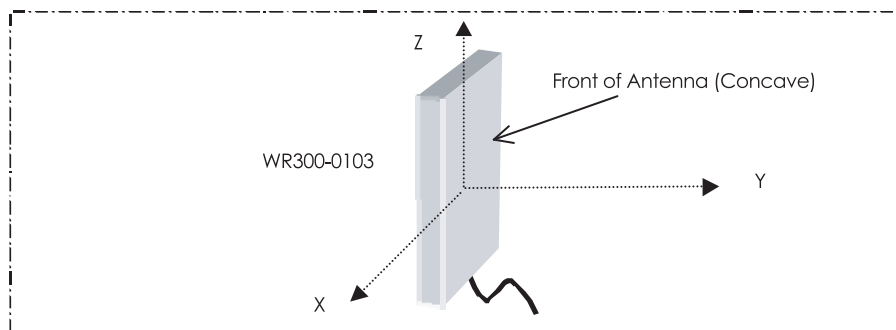
WR300-0103

Typical Antenna Plots

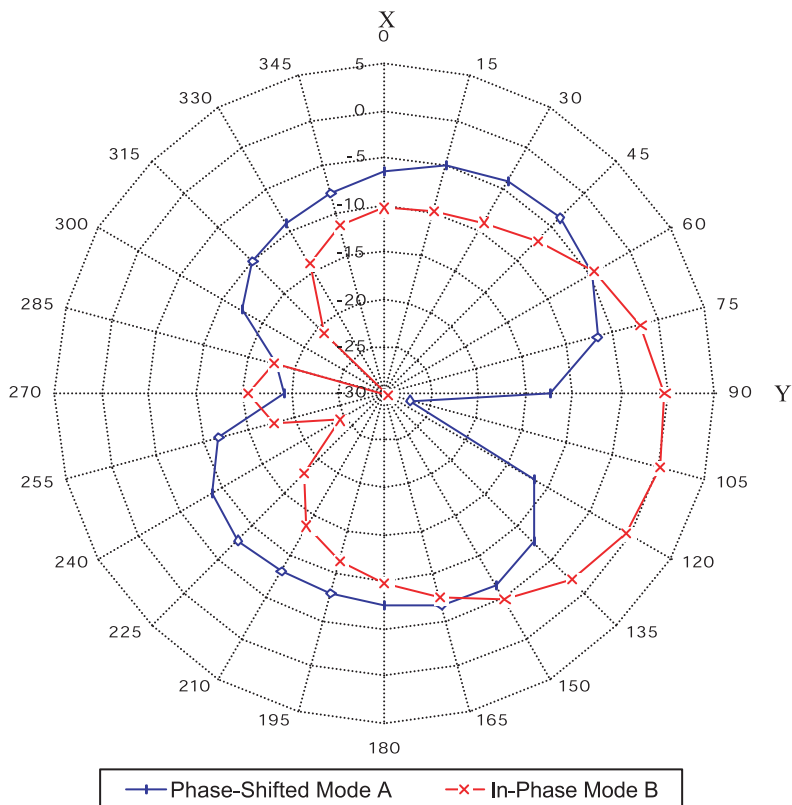
www.vecimanetworks.com

WR300-0103 Typical Antenna Plots

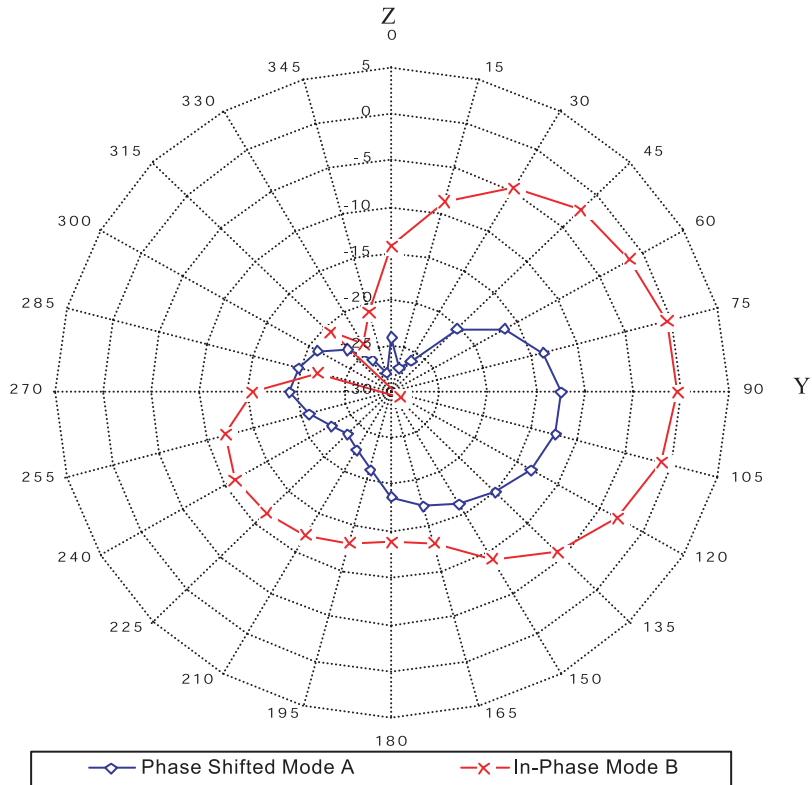
- Vertical Polarization
- Normalized H-Plane and E-Plane Patterns
- Maximum Antenna Gain 4.4 dBi
- Phase Shifted and In-Phase Modes



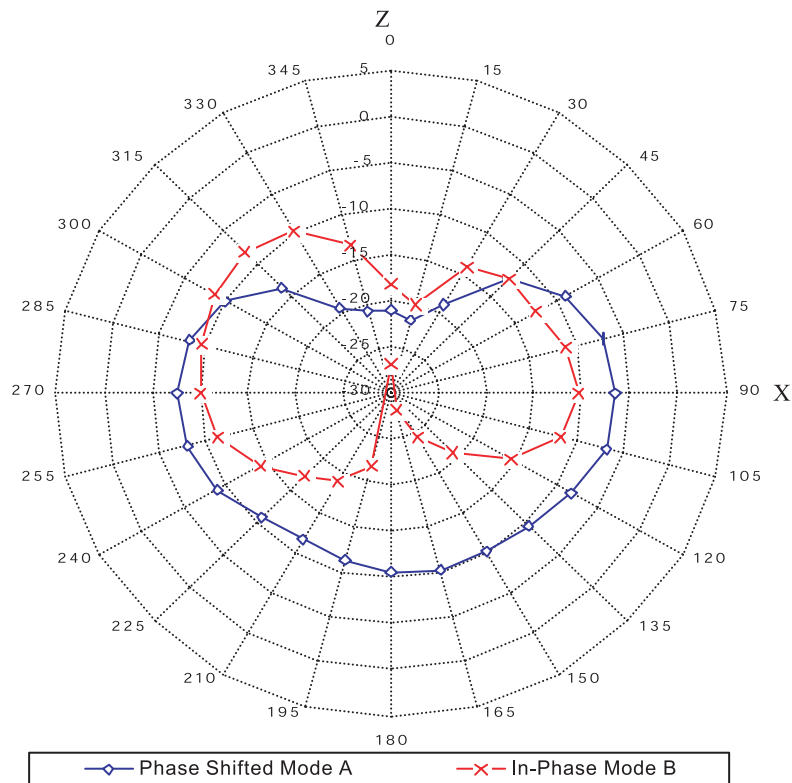
H-Plane Pattern (X-Y Plane)



E-Plane Pattern (Z-Y Plane)



E-Plane Pattern (Z-X Plane)



Vecima Networks Inc.
 150 Cardinal Place Saskatoon, SK S7L 6H7
 T: (888) 292-8266 / (306) 955-7075
 F: (306) 955-9919
 E: sales@vecimanetworks.com
 www.vecimanetworks.com